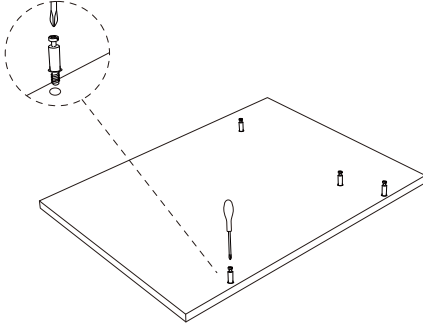




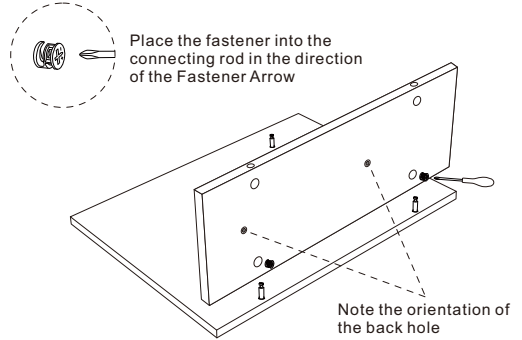
INSTALLATION STEPS OF THE MOUNTING RACK

Note: Pay attention to the orientation of the plate hole when installing, and screw in the self-tapping screw from the other side of the larger hole

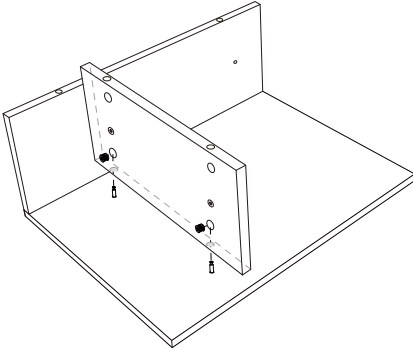
1. Find out the top plate and the bottom plate and screw into the three-in-one connection selftapping rod (the largest two plates are the top plate and the bottom plate)



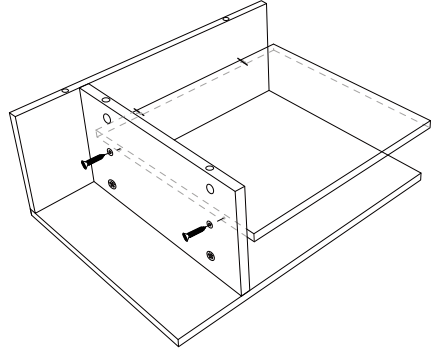
2. Install the back plane, put the fastener and tighten it in the + direction



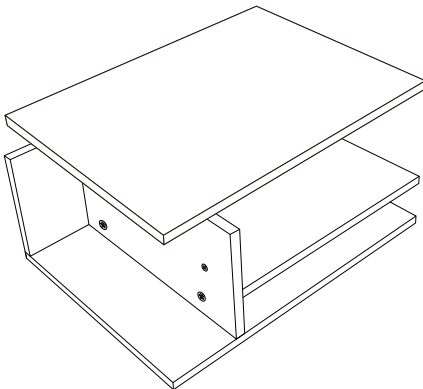
3. Place the hole into the partition and tighten the fastener



4. Screw in the middle laminate (the laminate is fixed with self-tapping nails)



5. Align with the hole position and cover the top plate



6. Tighten all the fasteners and screws, and complete the installation

